

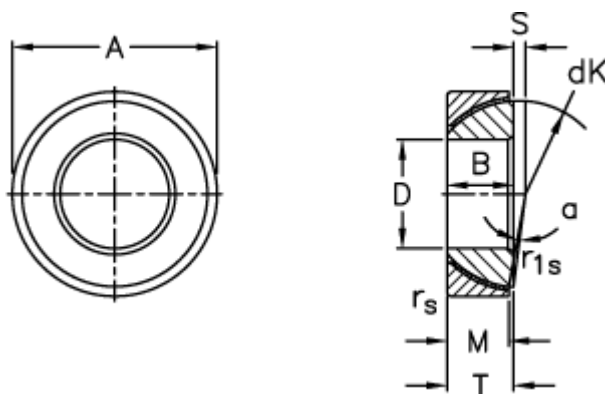
Data Sheet



Article number: 03510025

Description: Fluro Rod end GE 25SW

Measures



A	= 47 0 -0,014	Static load C0 (kN) = 190	
B	= 15	T	= 15 +0,25 -0,40
D	= 25 0 -0,012	Tilt angle	= 2.5
dK	= 42	Weight	= 148
Dynamic load C (kN)	= 95		
M	= 14		
rs, r1s min	= 1		
S	= 0.6		